



DESCRIPTION

Modern ventilation and lighting systems are controlled by using occupancy sensors in connection with the HVAC system

The occupancy sensor SO-PIR is passive infrared (PIR) which reacts to temperature changes in range of the detection beams. The occupancy sensor SO-PIR can be flush mounted or surface mounted on the ceiling or wall.

The SO-PIR has two function modes.

In the beginning, it is like a traditional (PIR) movement detector. After a movement is detected, e.g. an incoming person, the SO-PIR becomes an occupancy sensor.

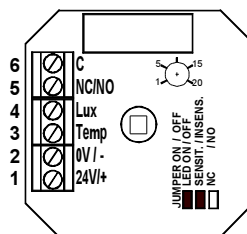
During a delay of 1...20 min the SO-PIR is operating as an occupancy sensor, after the movement detection. The function of relay contact, indication lamp and sensitivity is selected by the on/off jumpers.

TECHNICAL DATA

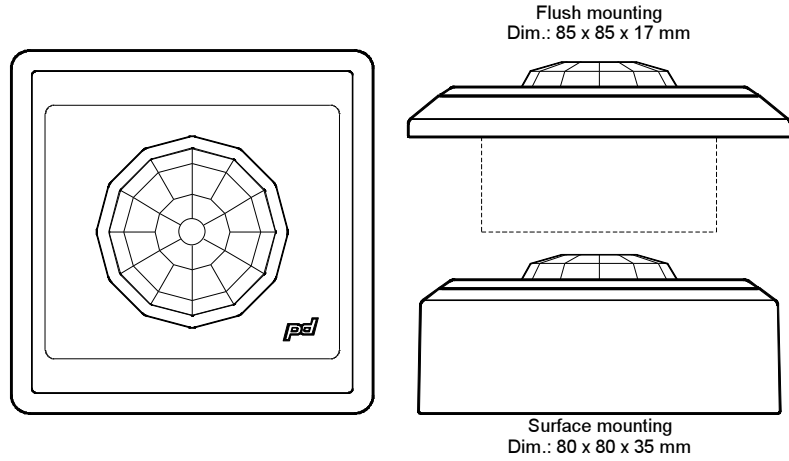
Power supply	24 Vac/dc
Sensitivity	sensitive* / insensitive
Indication lamp function	on* / off
Alarm output (NC / NO*)	< 60Vdc 0,2A
Detection range	see diagram on next page
Delay	1...20 min, 10 min*
Protection class	IP20
Operation temperature	-10...+55°C
Dimensions w x h x d	62 x 75 x 40 mm

* factory setting

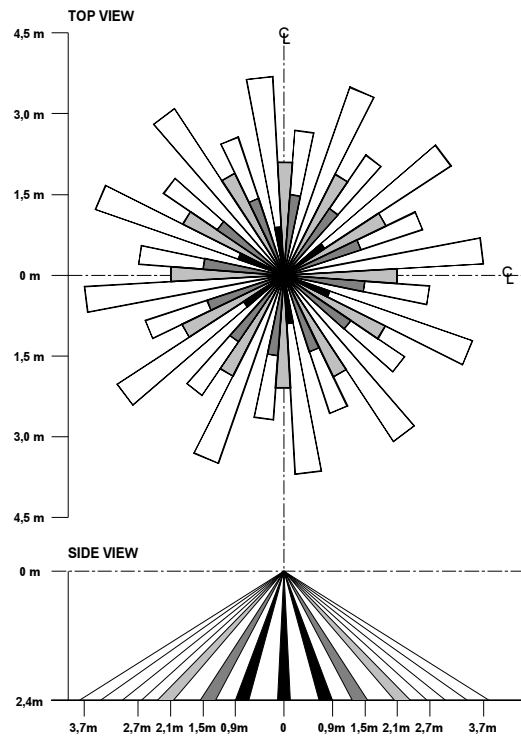
TECHNICAL DATA



DIMENSIONS



COVERAGE



ORDERING INFORMATION

MODEL	DESCRIPTION
SO-PIR	PIR occupancy sensor